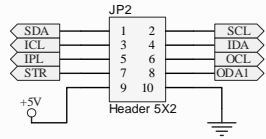
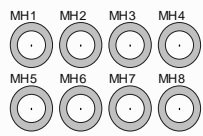
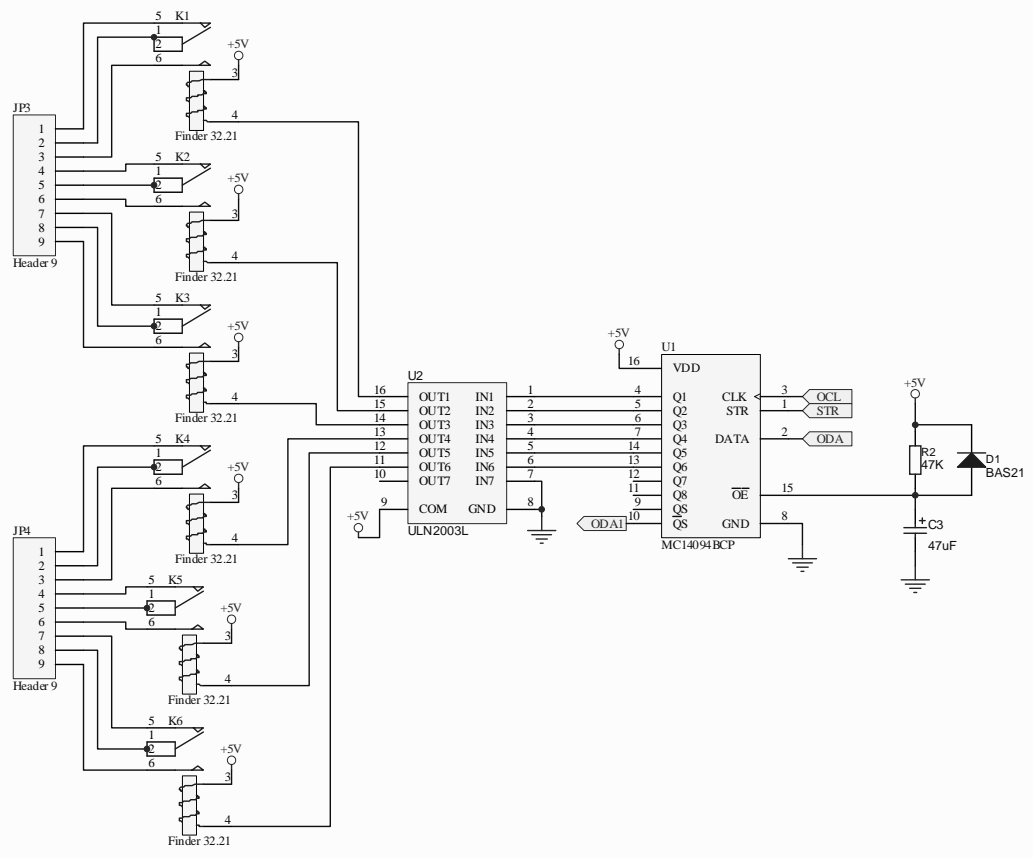
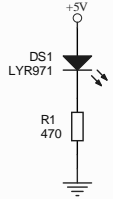
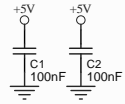


EXPANDER IN



EXPANDER OUT



FIXING PADS



MOUNTING HOLES

Title SX16 - EXPANDER OUT		Area SX s.r.l.	
Number:	Revision: 1.0	Via L. Robecchi Brichetti 13	
Date: 24/05/2007	Time: 10.10.37	Sheet: 1 of 1	00154 ROMA
File: C:\Documents and Settings\desantis\Desktop\FLEX OUTPUT\TV.01.00\SX Expander Out.SchDoc			